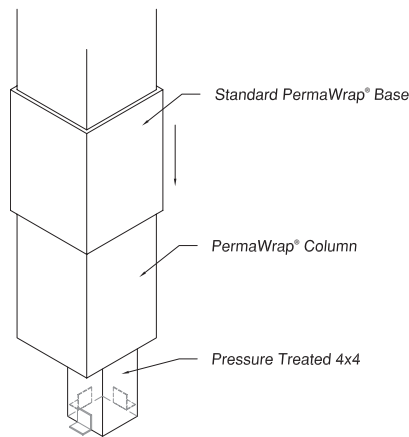


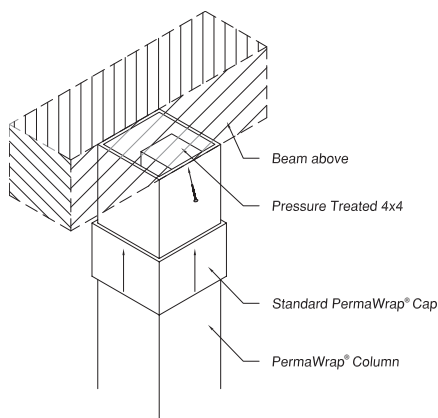
# Assembled PermaWrap® (with Post) Installation Instructions

## Instructions

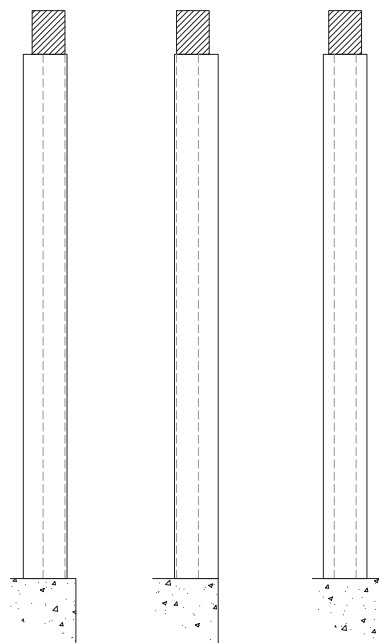
1. Measure opening height to determine overall length of Column.
2. Remove screw from base and slide base up the shaft to allow room for cutting.
3. Using measurement from Step 1 cut shaft and 4x4 post from bottom of column.
4. The column must be trimmed 3" short of the 4x4 post. (Subtract 3" from opening height to allow space between PVC material and post.) (See Detail 1) Adjust saw blade to cut 3/8" to avoid cutting the post. (The 3" difference is to allow for the attachment of "L" brackets (not included) to the bottom of post.)
5. Slide column into opening and secure post to substrate at bottom using galvanized "L" brackets (not included). Installation brackets must be installed flush on opposite sides of post, to prevent brackets from sticking out of the sides. (See Detail 1)
6. Slide base down and secure using finishing nails.
7. Remove screw from cap and slide down shaft allowing for connection to be made to load-bearing beam.
8. Connect post to load-bearing beam toe screwing from side using 3-1/2" wood screw. (See Detail 2)
19. Slide cap up into place and secure using finishing nails.
  1. The 4x4 post is mounted flush to one side of the Column to give a greater range of flexibility during installation. (See Detail 3)
  2. All holes will need to be filled with a latex caulk or exterior spackling prior to painting.
  3. Follow paint manufacturer's painting recommendations for painting the PermaWrap® column.



Detail 1



Detail 2



Detail 3

## TEMPERATURE RELATED ISSUES:

PVC Columns become more brittle in colder temperatures. When the columns become more brittle, they are more susceptible to damage. It is recommended that the columns themselves be warmed to 50° to 55° before installing. This can be accomplished by moving the columns into a heated space, and allowing adequate time for the temperature of the columns to warm up. The outdoor ambient temperature can be considerably colder than 50°, but if the columns themselves can be warmed up, they can then be installed with reduced risk of damaging them in the process. If you are unable to warm the columns before installation, you should first drill pilot holes before screwing or nailing them together. Be careful when nailing the columns and try to avoid striking the column faces with a hammer. Note that if your particular columns are designed in such a way that they include miter folded corners, which have not been folded, closed, they will definitely be susceptible to fracture if they cannot be warmed. If a miter-folded corner does fracture, you will still have a good miter joint, which consists of (2) separate pieces.

## CUTTING AND FASTENING:

The Cellular PVC material that the columns are constructed of can easily be cut with conventional carpentry and woodworking tools. Pneumatic finish nailers and staplers can be used to fasten Cellular PVC parts together. Large pneumatic framing staplers and nailers are not suitable for fastening this material as the percussion of the drivers of large nail guns can fracture the PVC material. Coarse thread, galvanized or stainless steel drywall screws are also suitable for fastening Cellular PVC parts together. It is suggested that pilot holes be used for screws longer than 1 5/8".

## PAINTING AND FINISHING:

Caulk where required using Siroflex brand Sealant and Adhesive provided by manufacturer. Putty any holes using acrylic putty or caulk. Lightly sand or scuff surface of column. Clean surface of column to remove any dirt or hand oil residue with light detergent and water, denatured alcohol, or window cleaner. Be sure to remove soap residue with clean water. Apply one coat of 100% acrylic exterior primer and one or more finish coats of 100% acrylic exterior paint.



Phone: (800) 264-4HBG  
Fax: (334) 566-4629  
www.hbgcolumns.com