

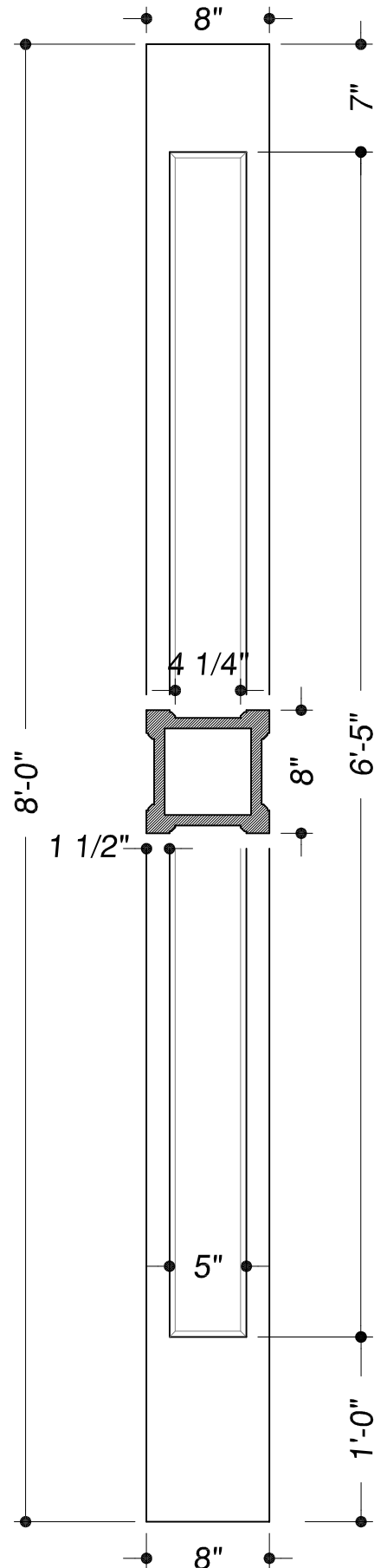
Square PermaCast® Column
8"x8"x8'-0" Recessed

SKU: 46382

Product Material: FRP

Notes

- Tolerances: +/- 1/4" in all dimensions
- Whole columns must have 75% contact at the top and 100% contact at the bottom. For split columns, leave a 1/2" - 1" gap between the top of the column and the header. See Installation Instructions.
- Column must be primed and painted after installation on jobsite. If column is not primed and painted it will turn a yellowish color due to UV rays. DO NOT paint columns using dark colors (dark colors are considered any color that falls within the L values of 56 to 0). Follow paint manufacturer's instructions for priming and finishing of fiberglass composite column and polyurethane cap and base.
- 8" Square PermaCast column has a concentric load bearing capacity of 10,000 lbs max.
- 8" Square PermaCast column has an eccentric; average allowable load of 5,150 lbs.
- Once the column is split it has NO load bearing capabilities.
- Top of column is attached to header with a flashing cap. Bottom of column is attached to substrate with 'L' brackets when using a Tuscan cap/base set. All other cap/base sets will use 'L' brackets only with the exception of ornamental capitals. See installation instructions for guidance on ornamental capitals.
- Column inside dimensions:
 Top: 5-5/8"
 Bottom: 5-5/8"
- *Inside dimensions have an 1/8" tolerance*
- Columns are not intended to be used in a free standing application without the use of a tie down system.



Drawn by: CAG
 Date: 25 March 2019
 Scale: NTS



1015 Brundidge Blvd.
 P.O. Box 589
 Troy, Alabama 36081
 334.566.5000
 Fax 334.566.4626
 www.hbgcolumns.com