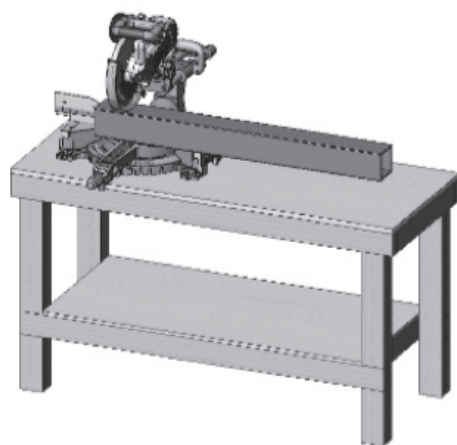


PermaRail Plus™ Newel Sleeve Installation with Newel-Loc™ Newel Support

1. MEASURE & CUT NEWEL SLEEVE TO PROPER HEIGHT (see Drawing 1)

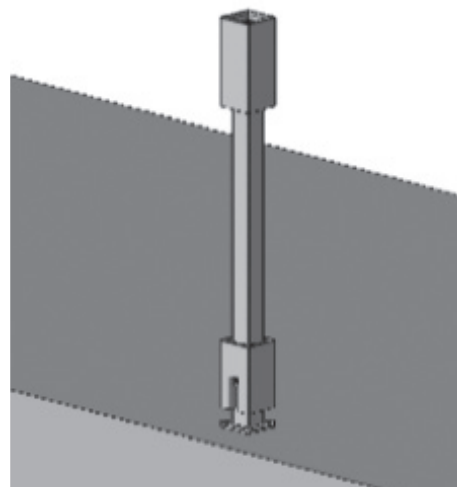
- Use a power miter box or circular saw with a fine-tooth carbide blade.
- Suggested newel height for a 36" rail height is 38" – 39"
- Suggested newel height for a 42" rail height is 44" – 45"



Drawing 1: Cut newel sleeve to proper height.

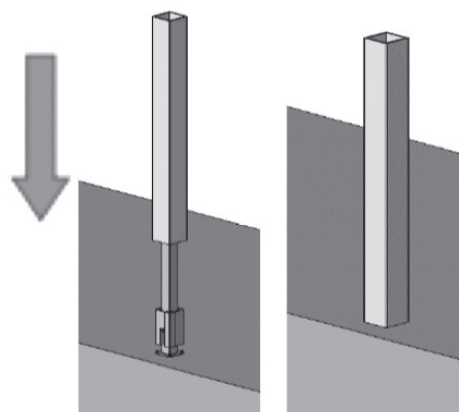
2. LOCATE AND MOUNT THE NEWEL-LOC™ NEWEL SUPPORT (see Drawing 2)

- Follow the instructions that came with the newel support.



Drawing 2: Locate & mount the Newel-Loc™ Newel Support.

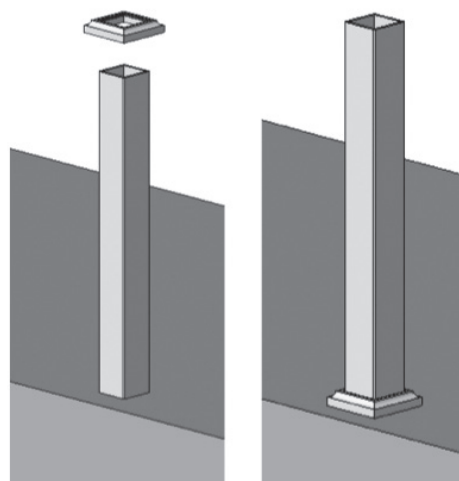
3. SLIDE THE CUT NEWEL SLEEVE OVER THE NEWEL SUPPORT (see Drawing 3)



Drawing 3: Slide the cut newel sleeve over the newel support.

4. SLIDE THE POST SKIRT OVER THE NEWEL SLEEVE (see Drawing 4)

- Slide skirt down the sleeve until it comes to rest on the floor surface.



Drawing 4: Slide post skirt over the newel sleeve.

5. SLIDE PYRAMID NEWEL CAP ONTO TOP OF NEWEL SLEEVE (see Drawing 5)

- After installing the rail sections, (follow rail installation instructions), slide the pyramid newel cap onto the top of the newel sleeve.



Drawing 5: Install pyramid newel caps

6. CAULK CAP AND SKIRT (see Drawing 6)

- Squirt caulk into the small gap on the underside of the pyramid newel cap into the small gap between the newel sleeve and the post skirt and push the caulk into the gap with your finger. Clean any excess caulk with a damp rag.



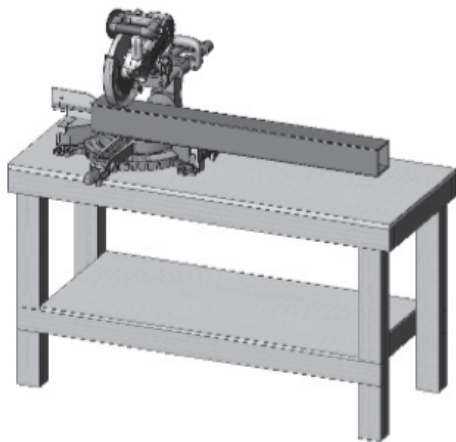
Drawing 6: Caulk cap & skirt

Your newel post installation is complete.

PermaRail Plus™ Newel Sleeve Installation over a 4x4 post

1. MEASURE & CUT NEWEL SLEEVE TO PROPER HEIGHT (see Drawing 1)

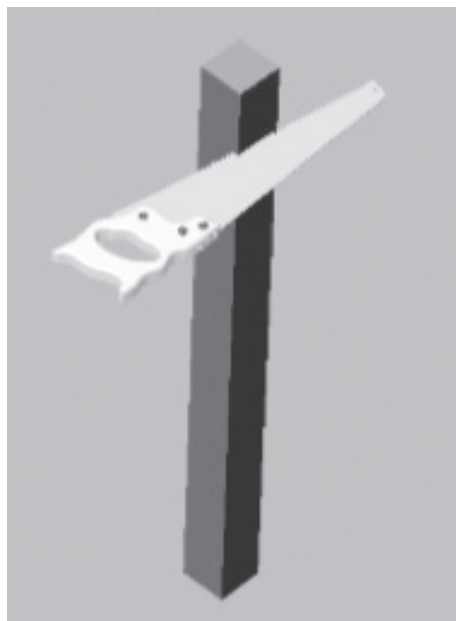
- Use a power miter box or circular saw with a fine-tooth carbide blade.
- Suggested newel height for a 36" rail height is 38" – 39"
- Suggested newel height for a 42" rail height is 44" – 45"



Drawing 1: Cut newel sleeve to proper height.

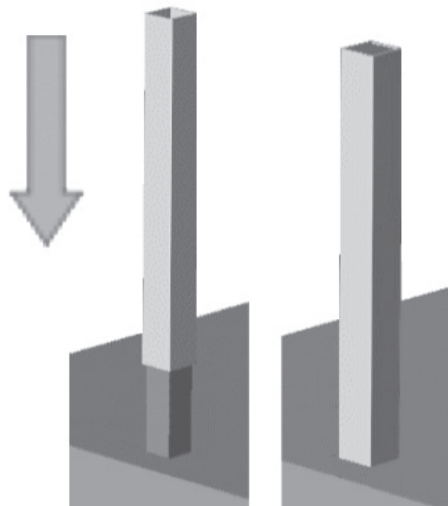
2. CUT THE 4X4 POST TO THE SAME HEIGHT AS THE NEWEL SLEEVE (see Drawing 2)

- 4x4 post must be at least 37" high for a 36" rail height.
- 4x4 post must be at least 43" high for a 42" rail height.



Drawing 2: Locate & mount the Newel-Loc™ Newel Support.

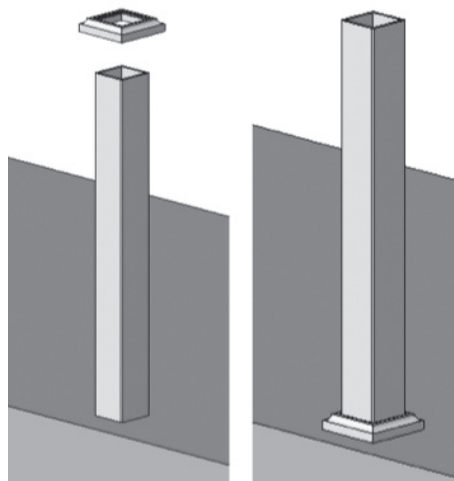
3. SLIDE THE CUT NEWEL SLEEVE OVER THE 4x4 POST (see Drawing 3)



Drawing 3: Slide the cut newel sleeve over the 4X4 post.

4. SLIDE THE POST SKIRT OVER THE NEWEL SLEEVE (see Drawing 4)

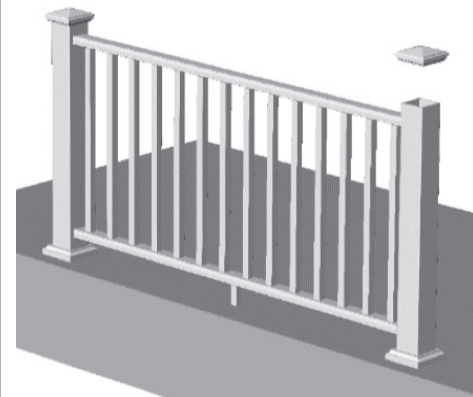
- Slide skirt down the sleeve until it comes to rest on the floor surface.



Drawing 4: Slide post skirt over the newel sleeve.

5. SLIDE PYRAMID NEWEL CAP ONTO TOP OF NEWEL SLEEVE (see Drawing 5)

- After installing the rail sections, (follow rail installation instructions), slide the pyramid newel cap onto the top of the newel sleeve



Drawing 5: Install pyramid newel caps.

6. CAULK CAP AND SKIRT (see Drawing 6)

- Squirt caulk into the small gap on the underside of the pyramid newel cap into the small gap between the newel sleeve and the post skirt and push the caulk into the gap with your finger. Clean any excess caulk with a damp rag.



Drawing 6: Caulk cap & skirt

Your newel post installation is complete.