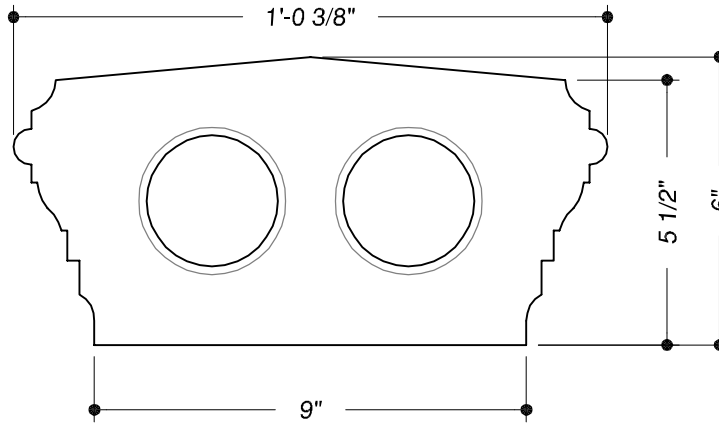


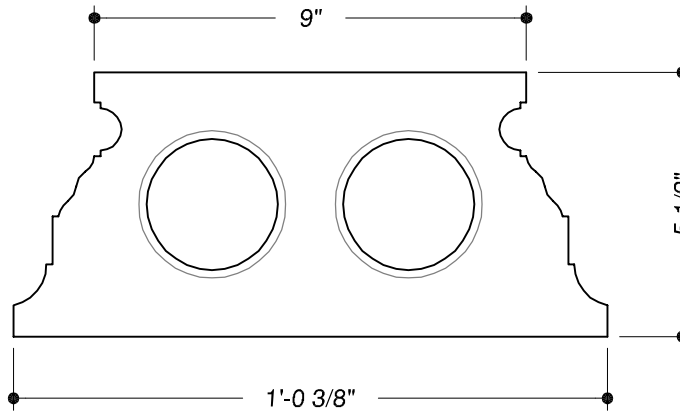
УКІМЕНІ





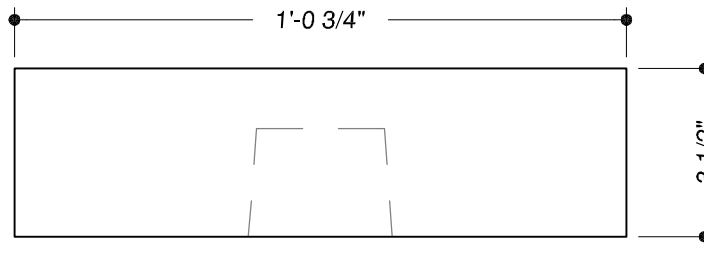
TOP RAIL

- 8' - Stock #57061
- 10' - Stock #57062
- 12' - Stock #57063



BOTTOM RAIL

- 8' - Stock #57064
- 10' - Stock #57065
- 12' - Stock #57066



RAIL SUPPORT

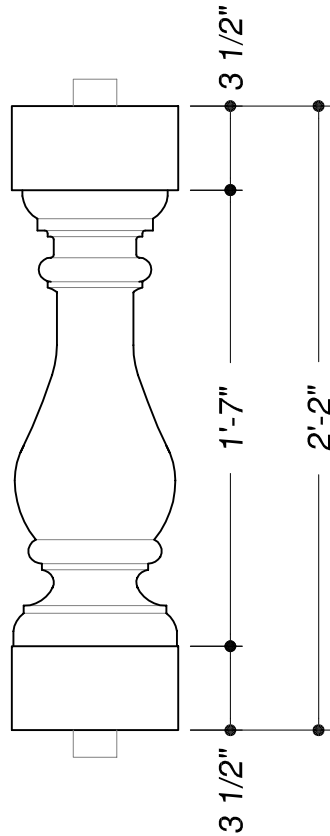
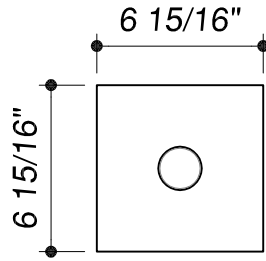
Stock #58014

Drawn By: CAI, JLC
 Date: -
 Revised: .
 Scale: Not to Scale
 Checked by: .
 Sheet 1 of 1

12" Balustrade System Accessories
Top & Bottom Rail,
 & Support Block



1015 Brundidge Blvd.
 P.O. Box 589
 Troy, Alabama 36081
 334.566.5000
 Fax 334.566.4626
 www.hbgcolumns.com



STOCK NUMBER: #58051

QUANTITY: -

PRODUCT MATERIAL: -

OTHER: -

Approved by: _____

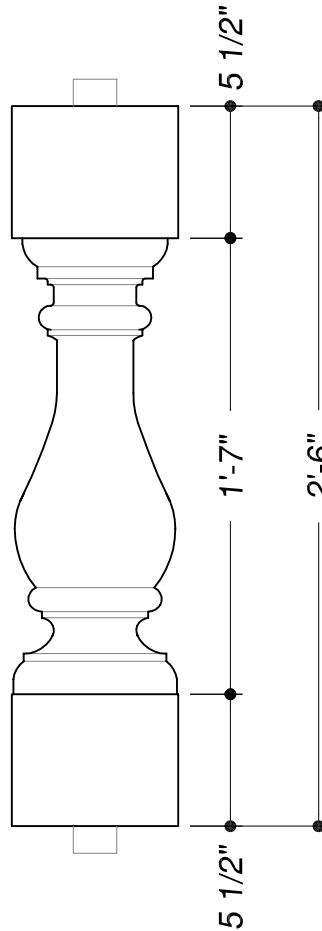
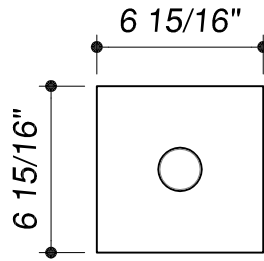
Date: _____

Drawn By: CAI, JLC
 Date: -
 Revised: -
 Scale: Not to Scale
 Checked by: -
 Sheet 1 of 1

12" PermaCast Balustrade System Accessories
Balustrade



1015 Brundidge Blvd.
 P.O. Box 589
 Troy, Alabama 36081
 334.566.5000
 Fax 334.566.4626
 www.hbgcolumns.com



STOCK NUMBER: #58052

QUANTITY: -

PRODUCT MATERIAL: -

OTHER: -

Approved by: _____

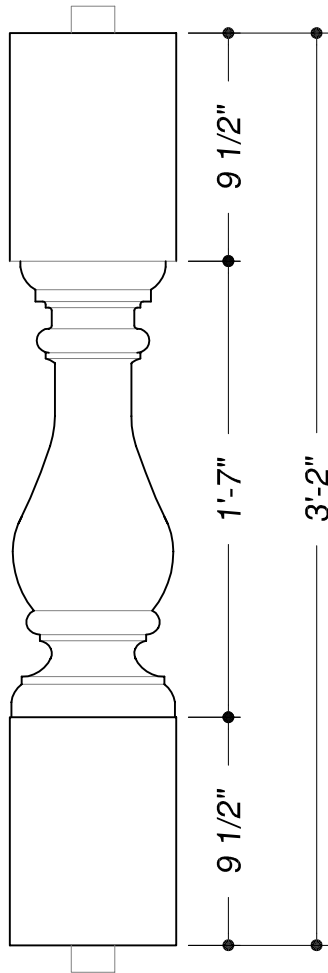
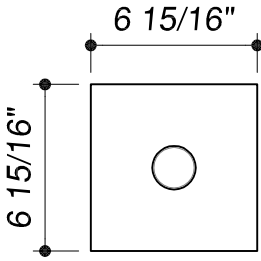
Date: _____

Drawn By: CAI, JLC
 Date: -
 Revised: -
 Scale: Not to Scale
 Checked by: -
 Sheet 1 of 1

12" PermaCast Balustrade System Accessories
Balustrade



1015 Brundidge Blvd.
 P.O. Box 589
 Troy, Alabama 36081
 334.566.5000
 Fax 334.566.4626
 www.hbgcolumns.com



STOCK NUMBER: #58053

QUANTITY: -

PRODUCT MATERIAL: -

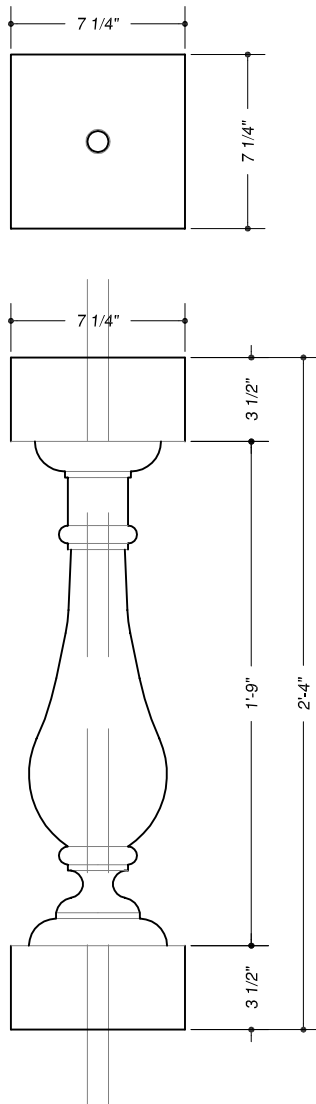
OTHER: -
-

Approved by: _____ Date: _____

Drawn By: CAI, JLC
 Date: -
 Revised: -
 Scale: Not to Scale
 Checked by: -
 Sheet 1 of 1

12" PermaCast Balustrade System Accessories
Balustrade

1015 Brundidge Blvd.
 P.O. Box 589
 Troy, Alabama 36081
 334.566.5000
 Fax 334.566.4626
 www.hbgcolumns.com



STOCK NUMBER: #58054

QUANTITY: -

PRODUCT MATERIAL: -

OTHER: -

-

Approved by: _____

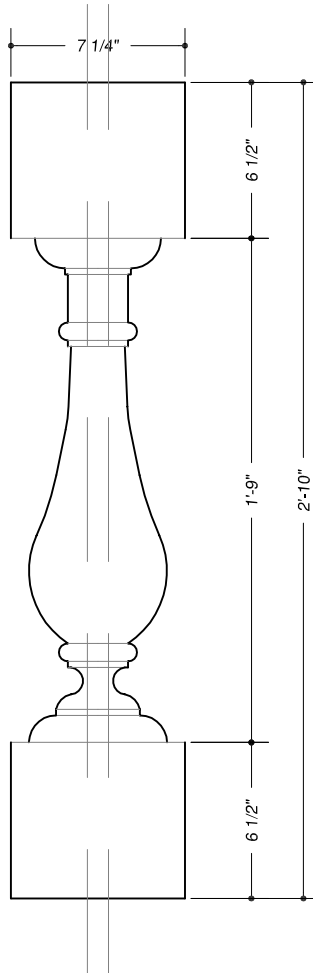
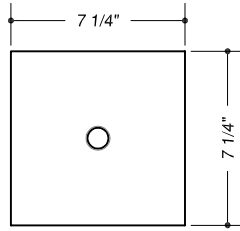
Date: _____

Drawn By: CAI, JLC
 Date: -
 Revised: .
 Scale: Not to Scale
 Checked by: .
 Sheet 1 of 1

12" Balustade System Accessories
Baluster



1015 Brundidge Blvd.
 P.O. Box 589
 Troy, Alabama 36081
 334.566.5000
 Fax 334.566.4626
 www.hbgcolumns.com



STOCK NUMBER: #58055

QUANTITY: -

PRODUCT MATERIAL: -

OTHER: -

-

Approved by: _____

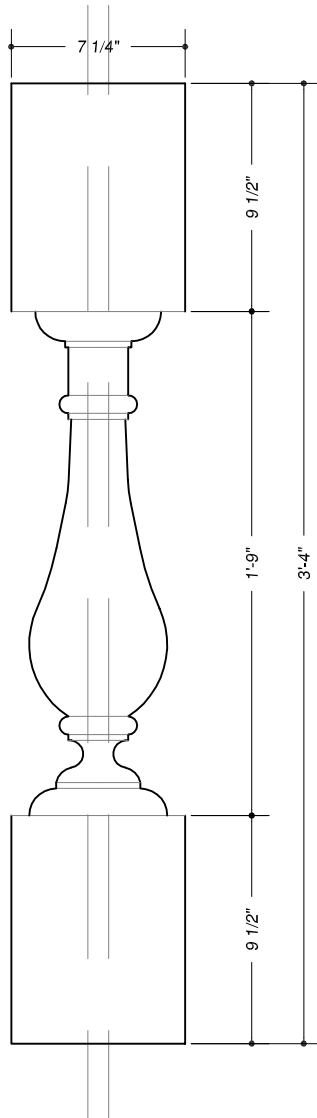
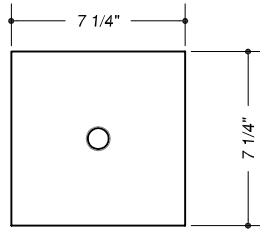
Date: _____

Drawn By: CAI, JLC
 Date: -
 Revised: .
 Scale: Not to Scale
 Checked by: .
 Sheet 1 of 1

12" Balustrade System Accessories
Baluster



1015 Brundidge Blvd.
 P.O. Box 589
 Troy, Alabama 36081
 334.566.5000
 Fax 334.566.4626
 www.hbgcolumns.com



STOCK NUMBER: #58056

QUANTITY: -

PRODUCT MATERIAL: -

OTHER: -

-

Approved by: _____

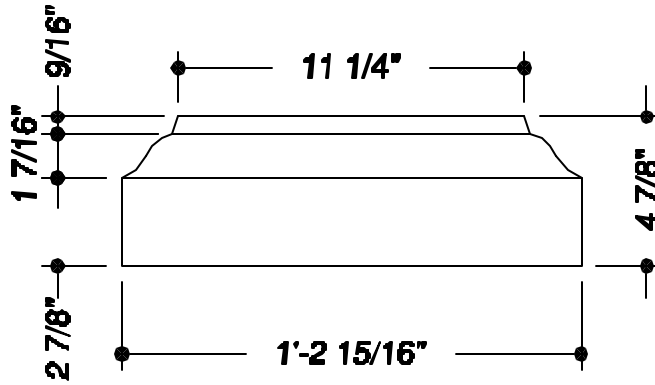
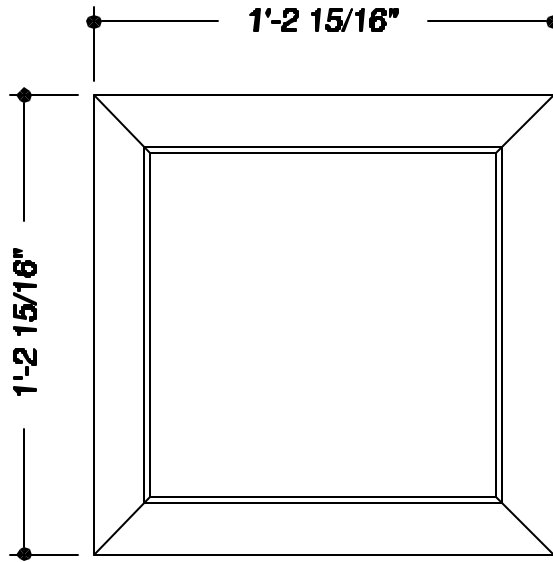
Date: _____

Drawn By: CAI, JLC
 Date: -
 Revised: -
 Scale: Not to Scale
 Checked by: -
 Sheet 1 of 1

12" Balustrade System Accessories
Extended Balusters



1015 Brundidge Blvd.
 P.O. Box 589
 Troy, Alabama 36081
 334.566.5000
 Fax 334.566.4626
 www.hbgcolumns.com



STOCK NUMBER: 57097

QUANTITY: -

PRODUCT MATERIAL: -

OTHER: -

Approved by: _____

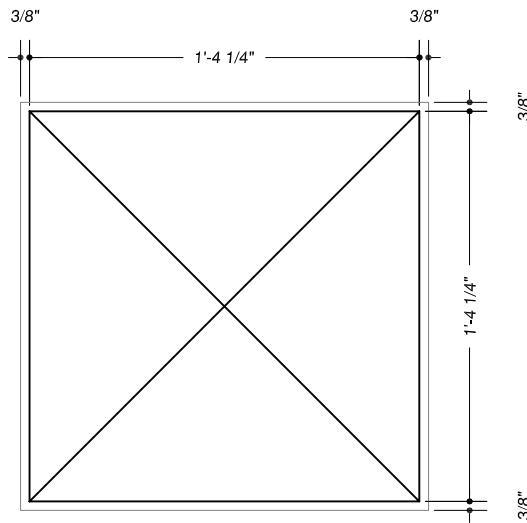
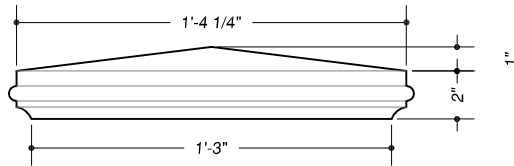
Date: _____

Drawn By: CAI, JLC
 Date: 28 Oct. 2004
 Revised: .
 Scale: Not to Scale
 Checked by: .
 Sheet bf 1

MATERIAL
Classic Cap
 for use with 12" Balustrade System



1015 Brundidge Blvd.
 P.O. Box 589
 Troy, Alabama 36081
 334.566.5000
 Fax 334.566.4626
 www.hbgcolumns.com



STOCK NUMBER: #57091

QUANTITY: -

PRODUCT MATERIAL: -

OTHER: -

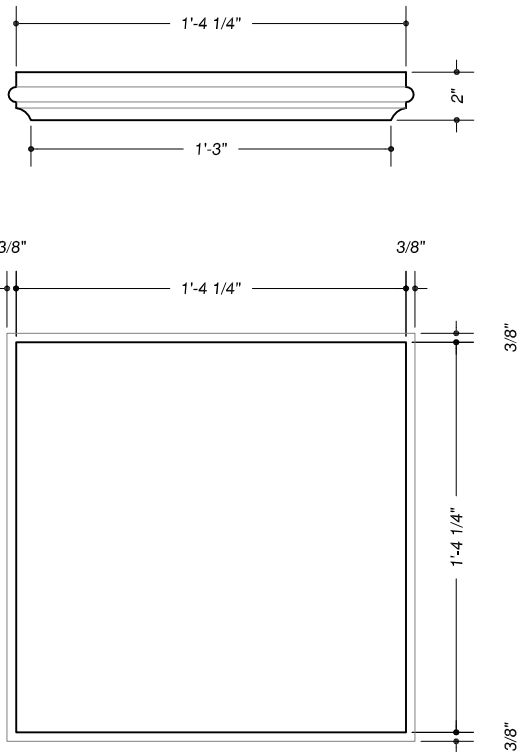
Approved by: _____ Date: _____

Drawn By: CAI, JLC
 Date: -
 Revised: -
 Scale: Not to Scale
 Checked by: -
 Sheet 1 of 1

12" Balustrade System Accessories
Pyramid Cap



1015 Brundidge Blvd.
 P.O. Box 589
 Troy, Alabama 36081
 334.566.5000
 Fax 334.566.4626
 www.hbgcolumns.com



STOCK NUMBER: #57092

QUANTITY: -

PRODUCT MATERIAL: -

OTHER: -

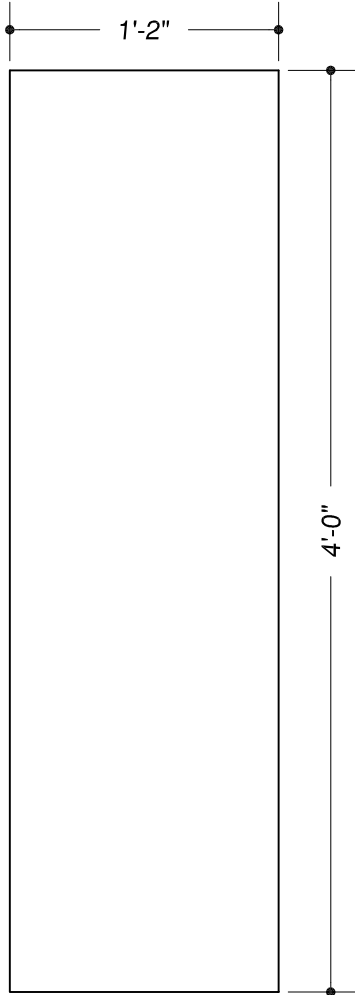
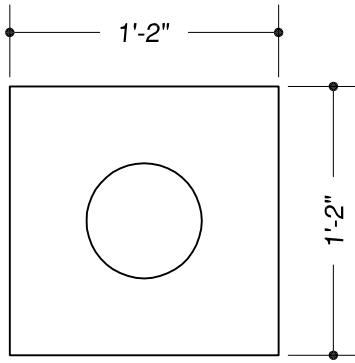
Approved by: _____ Date: _____

Drawn By: CAI, JLC
 Date: -
 Revised: -
 Scale: Not to Scale
 Checked by: -
 Sheet 1 of 1

12" Balustrade System Accessories
Flat Cap



1015 Brundidge Blvd.
 P.O. Box 589
 Troy, Alabama 36081
 334.566.5000
 Fax 334.566.4626
 www.hbgcolumns.com



STOCK NUMBER: #57094

QUANTITY: -

PRODUCT MATERIAL: -

OTHER: -

-

Approved by: _____

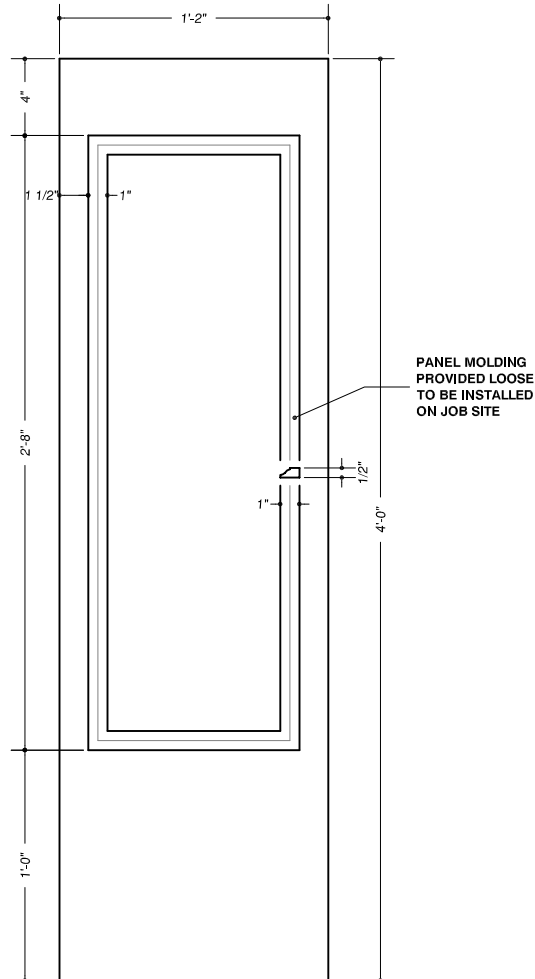
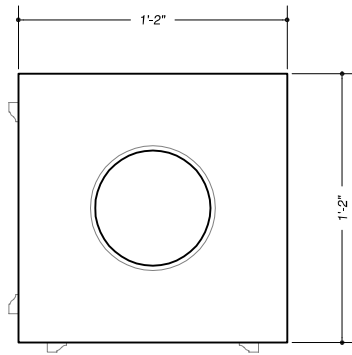
Date: _____

Drawn By: CAI, JLC
 Date: -
 Revised: .
 Scale: Not to Scale
 Checked by: .
 Sheet 1 of 1

12" Balustrade System Accessories
Plain Newel



1015 Brundidge Blvd.
 P.O. Box 589
 Troy, Alabama 36081
 334.566.5000
 Fax 334.566.4626
 www.hbgcolumns.com



STOCK NUMBER: #57095

QUANTITY: -

PRODUCT MATERIAL: -

OTHER: -

-

Approved by: _____

Date: _____

Drawn By: CAI, JLC
 Date: -
 Revised: -
 Scale: Not to Scale
 Checked by: -
 Sheet 1 of 1

12" Balustrade System Accessories
Paneled Newel



1015 Brundidge Blvd.
 P.O. Box 589
 Troy, Alabama 36081
 334.566.5000
 Fax 334.566.4626
 www.hbgcolumns.com