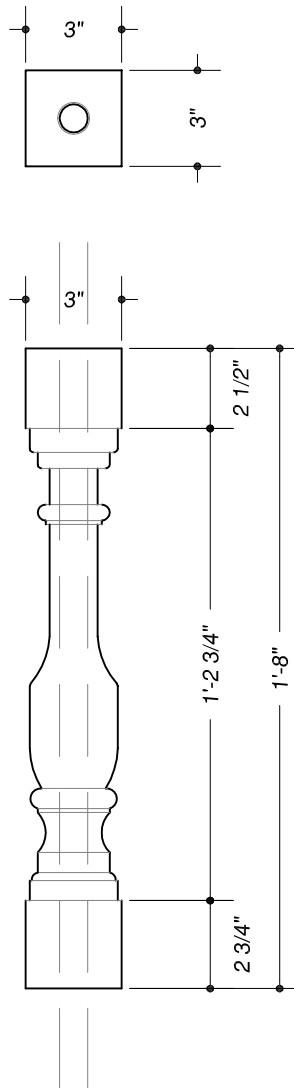




6” Balustrade System

Table of Contents

Product	SKU#	Page
Top Rail		
8’ Rail Section	57021	2
10’ Rail Section	57022	2
12’ Rail Section	57023	2
Bottom Rail		
8’ Rail Section	57024	2
10’ Rail Section	57025	2
12’ Rail Section	57026	2
Support Block	58013	2
20” Baluster	58031	3
28” Baluster	58036	4
33 1/4” Baluster	58032	5
24” Baluster	58033	6
26 1/4” Baluster	58034	7
32 3/8” Baluster	58035	8
Pyramid Cap	57085	9
Flat Cap	57092	10
Ball Top Cap	57087	11
Plain Newel	57094	12
5 Sided Newel		13
Paneled Newel	57095	14



STOCK NUMBER: #58031

QUANTITY: -

PRODUCT MATERIAL: High Density Urethane

OTHER: -
-

Approved by: _____

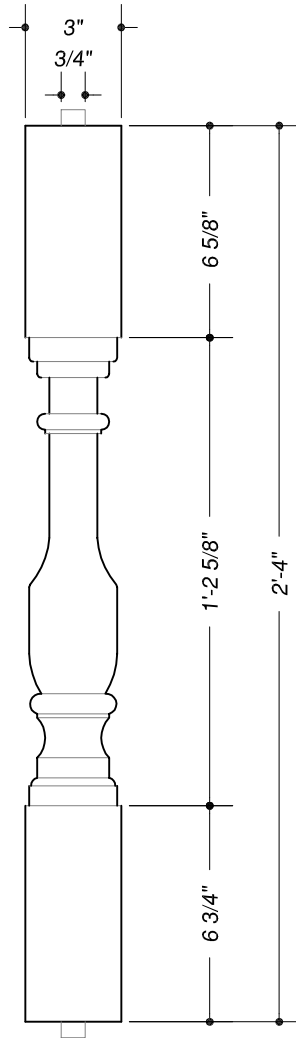
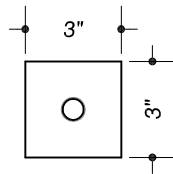
Date: _____

Drawn By: CAI, JLC
 Date: -
 Revised: .
 Scale: Not to Scale
 Checked by: .
 Sheet 1 of 1

6" Balustrade System Accessories
Baluster



1015 Brundidge Blvd.
 P.O. Box 589
 Troy, Alabama 36081
 334.566.5000
 Fax 334.566.4626
 www.hbgcolumns.com



STOCK NUMBER: #58036

QUANTITY: -

PRODUCT MATERIAL: -

OTHER: -

-

Approved by: _____

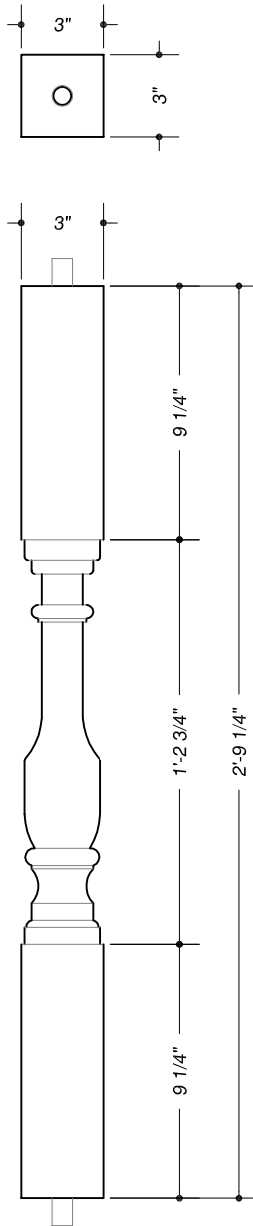
Date: _____

Drawn By: CAI, JLC
 Date: -
 Revised: .
 Scale: Not to Scale
 Checked by: .
 Sheet 1 of 1

6" Balustrade System Accessories
Baluster



1015 Brundidge Blvd.
 P.O. Box 589
 Troy, Alabama 36081
 334.566.5000
 Fax 334.566.4626
 www.hbgcolumns.com



STOCK NUMBER: #58032

QUANTITY: -

PRODUCT MATERIAL: -

OTHER: -

-

Approved by: _____

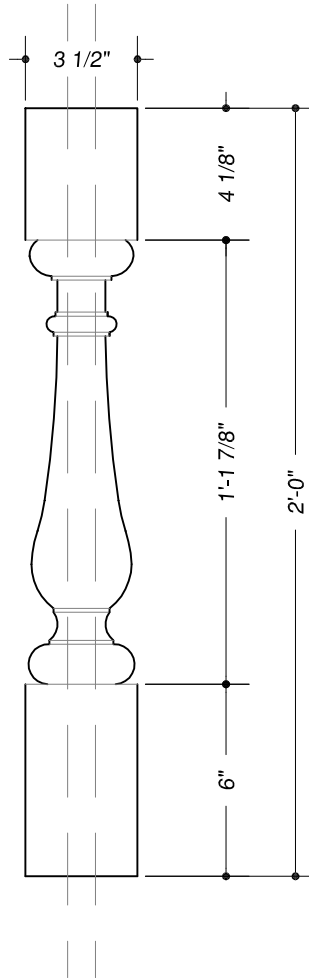
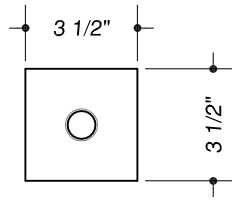
Date: _____

Drawn By: CAI, JLC
 Date: -
 Revised: -
 Scale: Not to Scale
 Checked by: -
 Sheet 1 of 1

6" Balustrade System Accessories
Extended Baluster



1015 Brundidge Blvd.
 P.O. Box 589
 Troy, Alabama 36081
 334.566.5000
 Fax 334.566.4626
 www.hbgcolumns.com



STOCK NUMBER: #58033

QUANTITY: -

PRODUCT MATERIAL: -

OTHER: -

-

Approved by: _____

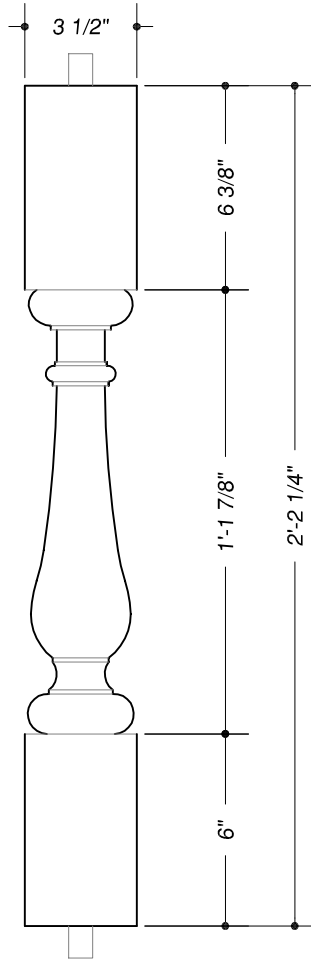
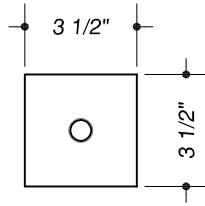
Date: _____

Drawn By: CAI, JLC
 Date: -
 Revised: .
 Scale: Not to Scale
 Checked by: .
 Sheet 1 of 1

6" Balustrade System Accessories
Baluster



1015 Brundidge Blvd.
 P.O. Box 589
 Troy, Alabama 36081
 334.566.5000
 Fax 334.566.4626
 www.hbgcolumns.com



STOCK NUMBER: #58034

QUANTITY: -

PRODUCT MATERIAL: -

OTHER: -

-

Approved by: _____

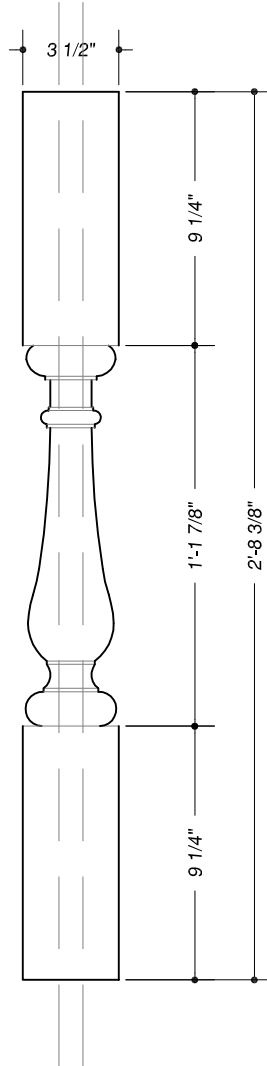
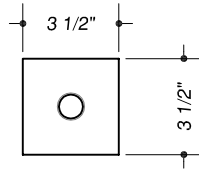
Date: _____

Drawn By: CAI, JLC
 Date: -
 Revised: .
 Scale: Not to Scale
 Checked by: .
 Sheet 1 of 1

6" Balustrade System Accessories
Baluster



1015 Brundidge Blvd.
 P.O. Box 589
 Troy, Alabama 36081
 334.566.5000
 Fax 334.566.4626
 www.hbgcolumns.com



STOCK NUMBER: #58035

QUANTITY: -

PRODUCT MATERIAL: -

OTHER: -

-

Approved by: _____

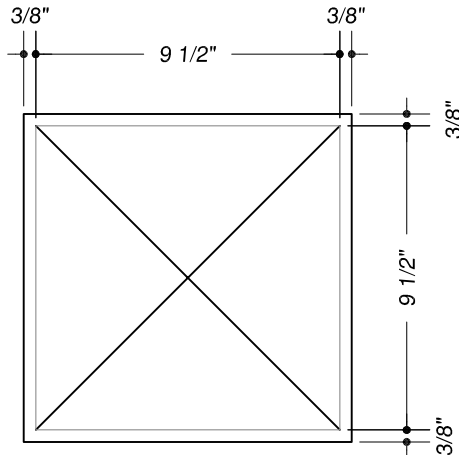
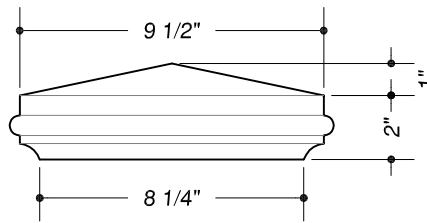
Date: _____

Drawn By: CAI, JLC
 Date: -
 Revised: -
 Scale: Not to Scale
 Checked by: -
 Sheet 1 of 1

6" Balustrade System Accessories
Extended Baluster



1015 Brundidge Blvd.
 P.O. Box 589
 Troy, Alabama 36081
 334.566.5000
 Fax 334.566.4626
 www.hbgcolumns.com



STOCK NUMBER: #57085

QUANTITY: -

PRODUCT MATERIAL: -

OTHER: -

-

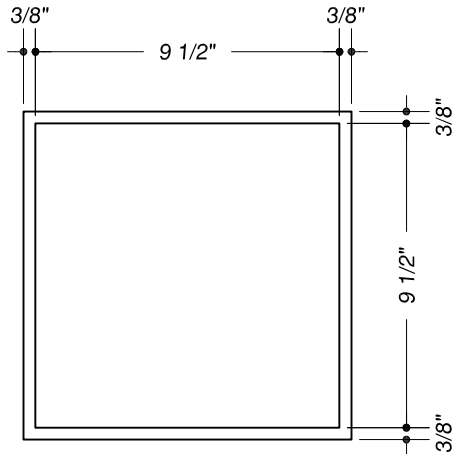
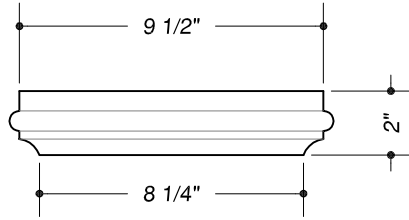
Approved by: _____ Date: _____

Drawn By: CAI, JLC
 Date: -
 Revised: -
 Scale: Not to Scale
 Checked by: -
 Sheet 1 of 1

6" Balustrade System Accessories
Pyramid Cap



1015 Brundidge Blvd.
 P.O. Box 589
 Troy, Alabama 36081
 334.566.5000
 Fax 334.566.4626
 www.hbgcolumns.com



STOCK NUMBER: #57086

QUANTITY: -

PRODUCT MATERIAL: -

OTHER: -
-

Approved by: _____

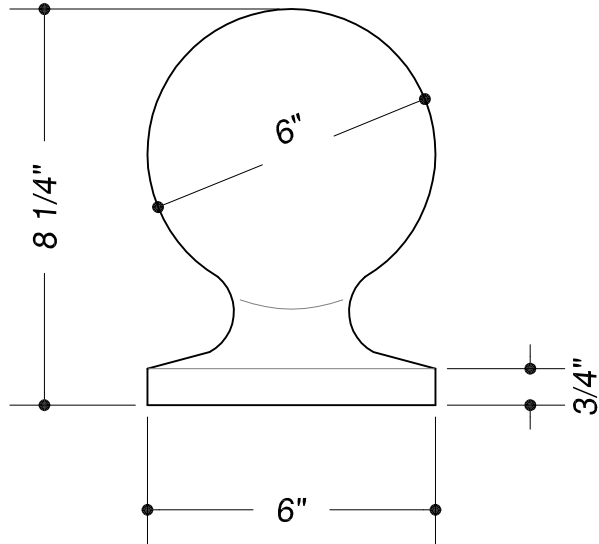
Date: _____

Drawn By: CAI, JLC
Date: -
Revised: .
Scale: Not to Scale
Checked by: .
Sheet 1 of 1

6" Balustrade System Accessories
Flat Cap



1015 Brundidge Blvd.
P.O. Box 589
Troy, Alabama 36081
334.566.5000
Fax 334.566.4626
www.hbgcolumns.com



STOCK NUMBER: #57087

QUANTITY: -

PRODUCT MATERIAL: High Density Urethane

OTHER: -
-

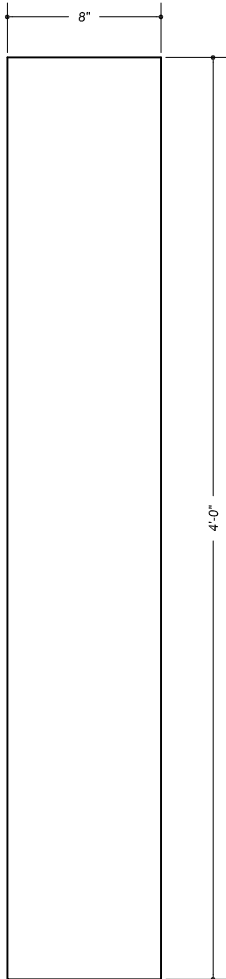
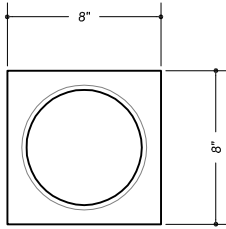
Approved by: _____ Date: _____

Drawn By: CAI, JLC
 Date: -
 Revised: .
 Scale: Not to Scale
 Checked by: .
 Sheet 1 of 1

6" Balustrade System Accessories
Ball Top Cap



1015 Brundidge Blvd.
 P.O. Box 589
 Troy, Alabama 36081
 334.566.5000
 Fax 334.566.4626
 www.hbgcolumns.com



STOCK NUMBER: #57088

QUANTITY: -

PRODUCT MATERIAL: -

OTHER: -
-

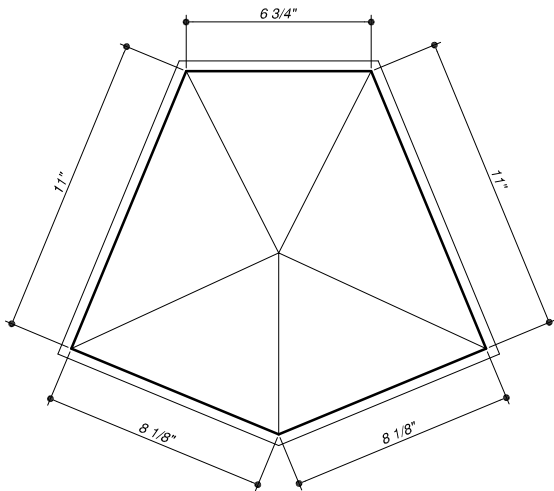
Approved by: _____ Date: _____

Drawn By: CAI, JLC
 Date: -
 Revised: .
 Scale: Not to Scale
 Checked by: .
 Sheet 1 of 1

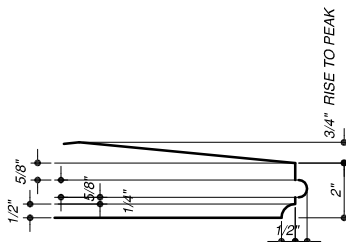
6" Balustrade System Accessories
Plain Newel



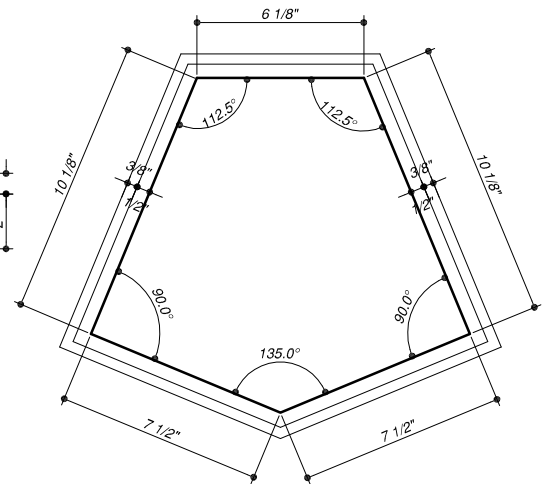
1015 Brundidge Blvd.
 P.O. Box 589
 Troy, Alabama 36081
 334.566.5000
 Fax 334.566.4626
 www.hbgcolumns.com



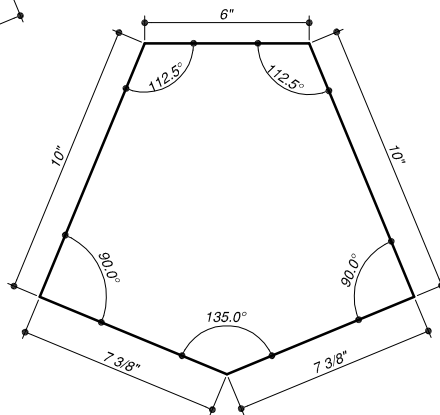
CAP TOP VIEW



CAP PROFILE



CAP BOTTOM VIEW



NEWEL SECTION

STOCK NUMBER: -

QUANTITY: -

PRODUCT MATERIAL: -

OTHER: -

Approved by: _____

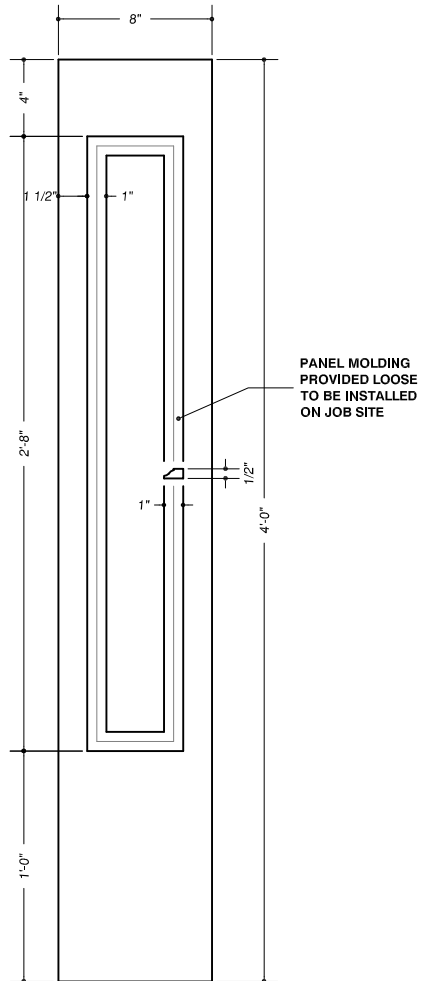
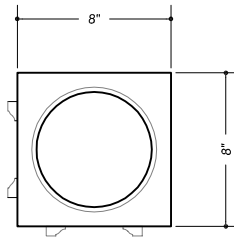
Date: _____

Drawn By: CAI, JLC
 Date: -
 Revised: -
 Scale: Not to Scale
 Checked by: -
 Sheet: 1 of 1

PermaCast
5 Sided Newel



1015 Brundidge Blvd.
 P.O. Box 589
 Troy, Alabama 36081
 334.566.5000
 Fax 334.566.4626
 www.hbgcolumns.com



STOCK NUMBER: #57089

QUANTITY: -

PRODUCT MATERIAL: -

OTHER: -

-

Approved by: _____

Date: _____

Drawn By: CAI, JLC
 Date: -
 Revised: -
 Scale: Not to Scale
 Checked by: -
 Sheet 1 of 1

6" Balustrade System Accessories
Paneled Corner Newel



1015 Brundidge Blvd.
 P.O. Box 589
 Troy, Alabama 36081
 334.566.5000
 Fax 334.566.4626
 www.hbgcolumns.com