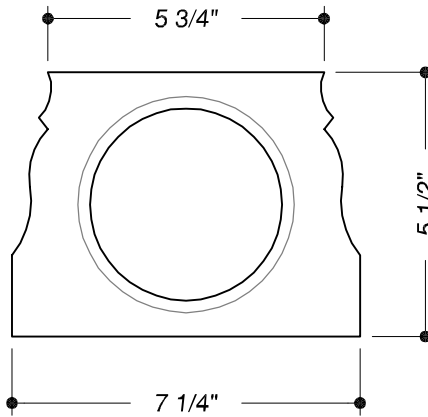


TOP RAIL

8' - Stock #57031

10' - Stock #57032

12' - Stock #57033

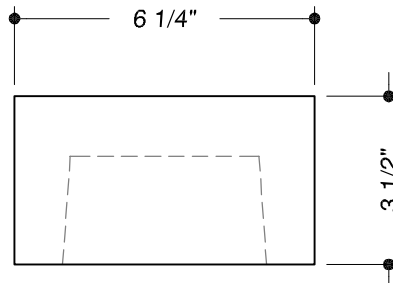


BOTTOM RAIL

8' - Stock #57034

10' - Stock #57035

12' - Stock #57036



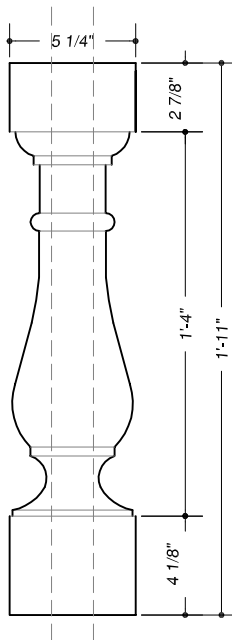
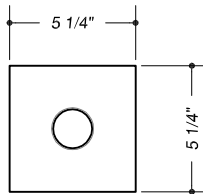
Rail Support
Stock #58012

Drawn By: CAI, JLC
Date: -
Revised: .
Scale: Not to Scale
Checked by: .
Sheet 1 of 1

7" Balustrade System Accessories
Top & Bottom Rails,
& Support Block



1015 Brundidge Blvd.
P.O. Box 589
Troy, Alabama 36081
334.566.5000
Fax 334.566.4626
www.hbgcolumns.com



STOCK NUMBER: #58041

QUANTITY: -

PRODUCT MATERIAL: -

OTHER: -

-

Approved by: _____

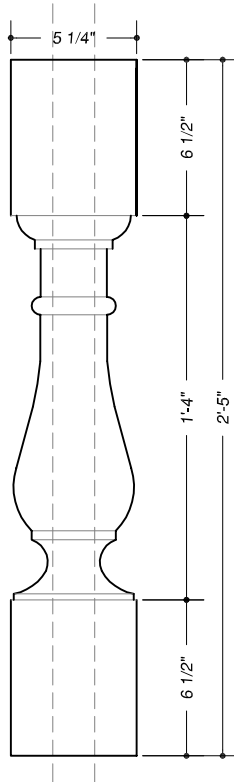
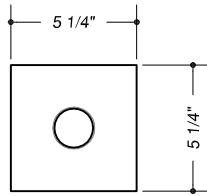
Date: _____

Drawn By: CAI, JLC
 Date: -
 Revised: .
 Scale: Not to Scale
 Checked by: .
 Sheet 1 of 1

7" Balustrade System Accessories
Baluster



1015 Brundidge Blvd.
 P.O. Box 589
 Troy, Alabama 36081
 334.566.5000
 Fax 334.566.4626
 www.hbgcolumns.com



STOCK NUMBER: #58045

QUANTITY: -

PRODUCT MATERIAL: -

OTHER: -

-

Approved by: _____

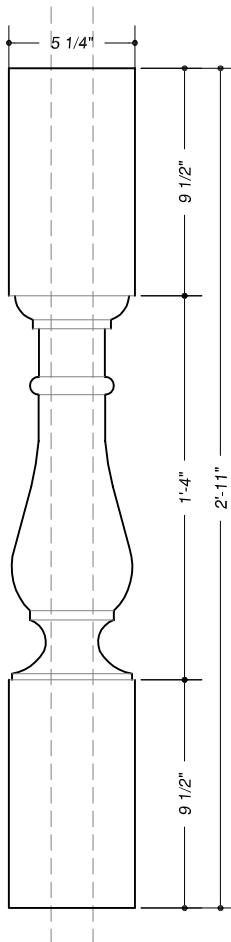
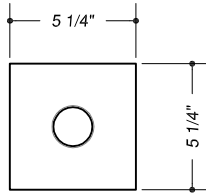
Date: _____

Drawn By: CAI, JLC
 Date: -
 Revised: .
 Scale: Not to Scale
 Checked by: .
 Sheet 1 of 1

7" Balustrade System Accessories
Baluster



1015 Brundidge Blvd.
 P.O. Box 589
 Troy, Alabama 36081
 334.566.5000
 Fax 334.566.4626
 www.hbgcolumns.com



STOCK NUMBER: #58042

QUANTITY: -

PRODUCT MATERIAL: -

OTHER: -

-

Approved by: _____

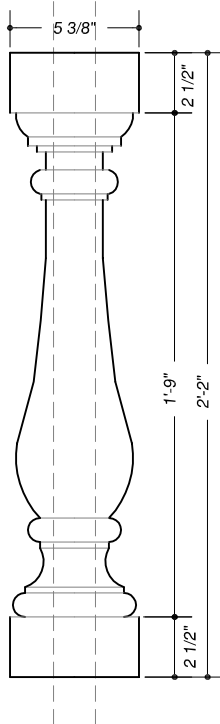
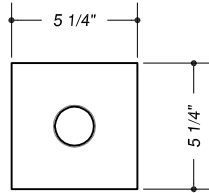
Date: _____

Drawn By: CAI, JLC
 Date: -
 Revised: .
 Scale: Not to Scale
 Checked by: .
 Sheet 1 of 1

7" Balustrade System Accessories
Baluster



1015 Brundidge Blvd.
 P.O. Box 589
 Troy, Alabama 36081
 334.566.5000
 Fax 334.566.4626
 www.hbgcolumns.com



STOCK NUMBER: #58043

QUANTITY: -

PRODUCT MATERIAL: -

OTHER: -

-

Approved by: _____

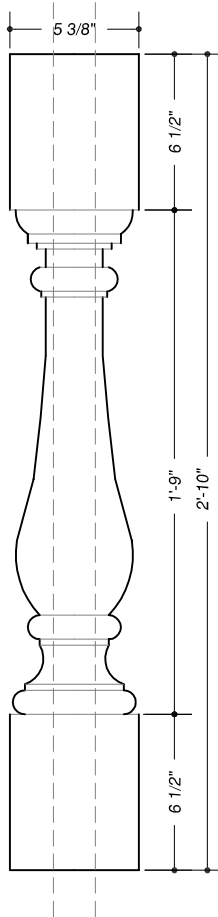
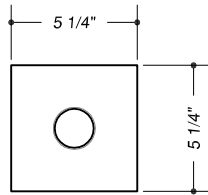
Date: _____

Drawn By: CAI, JLC
 Date: -
 Revised: .
 Scale: Not to Scale
 Checked by: .
 Sheet 1 of 1

7" Balustrade System Accessories
Baluster



1015 Brundidge Blvd.
 P.O. Box 589
 Troy, Alabama 36081
 334.566.5000
 Fax 334.566.4626
 www.hbgcolumns.com



STOCK NUMBER: #58046

QUANTITY: -

PRODUCT MATERIAL: -

OTHER: -

-

Approved by: _____

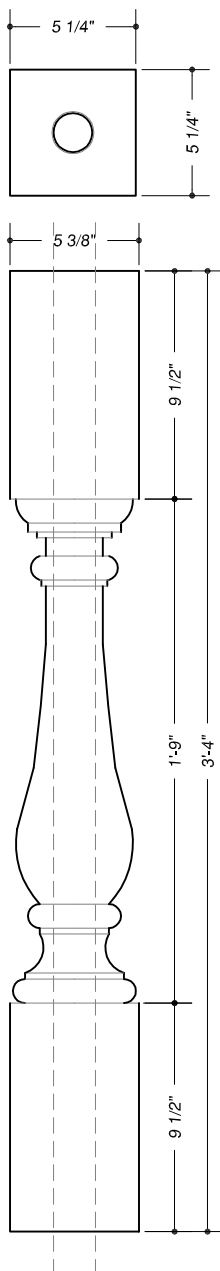
Date: _____

Drawn By: CAI, JLC
 Date: -
 Revised: .
 Scale: Not to Scale
 Checked by: .
 Sheet 1 of 1

7" Balustrade System Accessories
Baluster



1015 Brundage Blvd.
 P.O. Box 589
 Troy, Alabama 36081
 334.566.5000
 Fax 334.566.4626
 www.hbgcolumns.com



STOCK NUMBER: #58044

QUANTITY: -

PRODUCT MATERIAL: -

OTHER: -

-

Approved by: _____

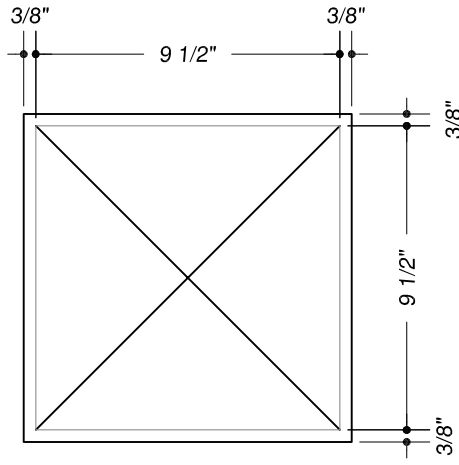
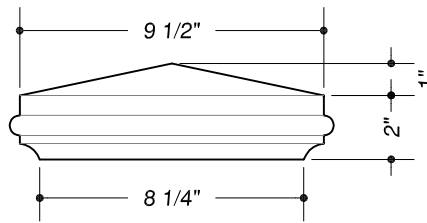
Date: _____

Drawn By: CAI, JLC
 Date: -
 Revised: .
 Scale: Not to Scale
 Checked by: .
 Sheet 1 of 1

7" Balustrade System Accessories
Baluster



1015 Brundidge Blvd.
 P.O. Box 589
 Troy, Alabama 36081
 334.566.5000
 Fax 334.566.4626
 www.hbgcolumns.com



STOCK NUMBER: #57085

QUANTITY: -

PRODUCT MATERIAL: -

OTHER: -

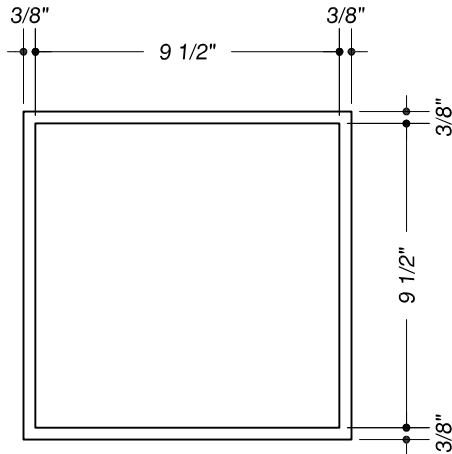
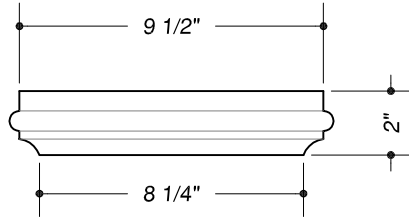
Approved by: _____ Date: _____

Drawn By: CAI, JLC
 Date: -
 Revised: -
 Scale: Not to Scale
 Checked by: -
 Sheet 1 of 1

6" Balustrade System Accessories
Pyramid Cap



1015 Brundidge Blvd.
 P.O. Box 589
 Troy, Alabama 36081
 334.566.5000
 Fax 334.566.4626
 www.hbgcolumns.com



STOCK NUMBER: #57086

QUANTITY: -

PRODUCT MATERIAL: -

OTHER: -

-

Approved by: _____

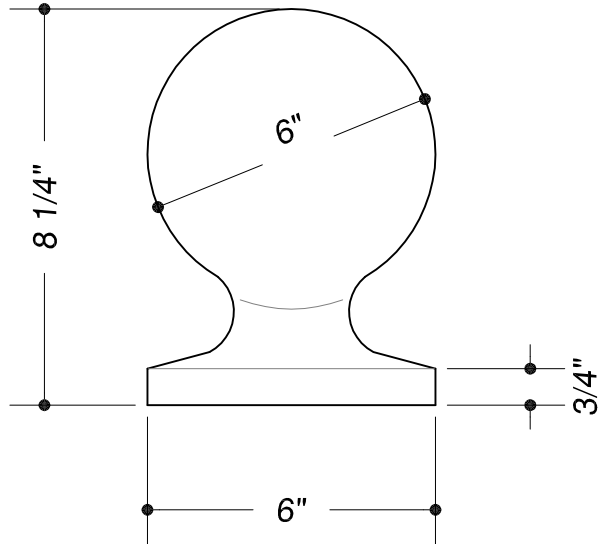
Date: _____

Drawn By: CAI, JLC
 Date: -
 Revised: .
 Scale: Not to Scale
 Checked by: .
 Sheet 1 of 1

6" Balustrade System Accessories
Flat Cap



1015 Brundidge Blvd.
 P.O. Box 589
 Troy, Alabama 36081
 334.566.5000
 Fax 334.566.4626
 www.hbgcolumns.com



STOCK NUMBER: #57087

QUANTITY: -

PRODUCT MATERIAL: High Density Urethane

OTHER: -
-

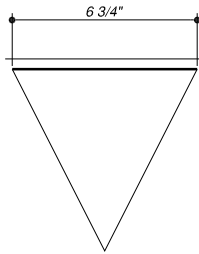
Approved by: _____ Date: _____

Drawn By: CAI, JLC
 Date: -
 Revised: .
 Scale: Not to Scale
 Checked by: .
 Sheet 1 of 1

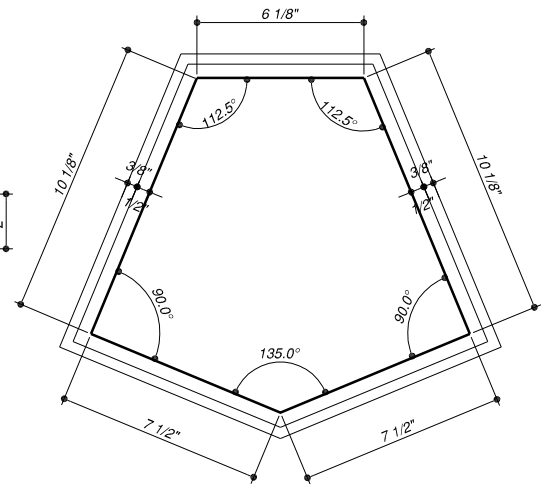
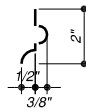
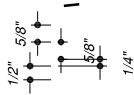
6" Balustrade System Accessories
Ball Top Cap



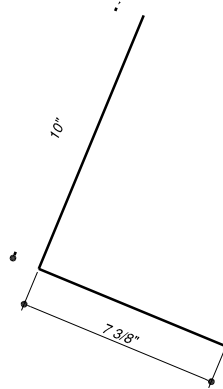
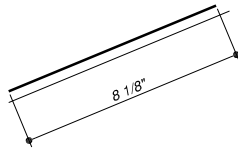
1015 Brundage Blvd.
 P.O. Box 589
 Troy, Alabama 36081
 334.566.5000
 Fax 334.566.4626
 www.hbgcolumns.com



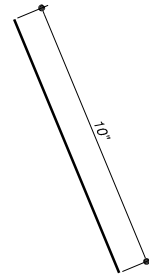
CAP TOP VIEW



CAP BOTTOM VIEW



NEWEL SECTION



STOCK NUMBER: -

QUANTITY: -

PRODUCT MATERIAL: -

OTHER: -

Approved by: _____

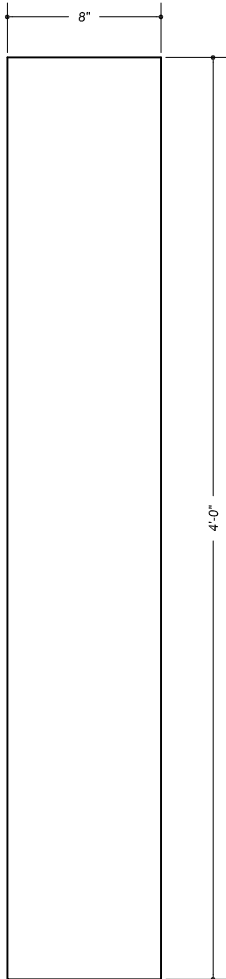
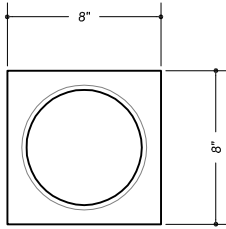
Date: _____

Drawn By: CAI, JLC
 Date: -
 Revised: -
 Scale: Not to Scale
 Checked by: -
 Sheet: 1 of 1

PermaCast
5 Sided Newel



1015 Brundidge Blvd.
 P.O. Box 589
 Troy, Alabama 36081
 334.566.5000
 Fax 334.566.4626
 www.hbgcolumns.com



STOCK NUMBER: #57088

QUANTITY: -

PRODUCT MATERIAL: -

OTHER: -
-

Approved by: _____

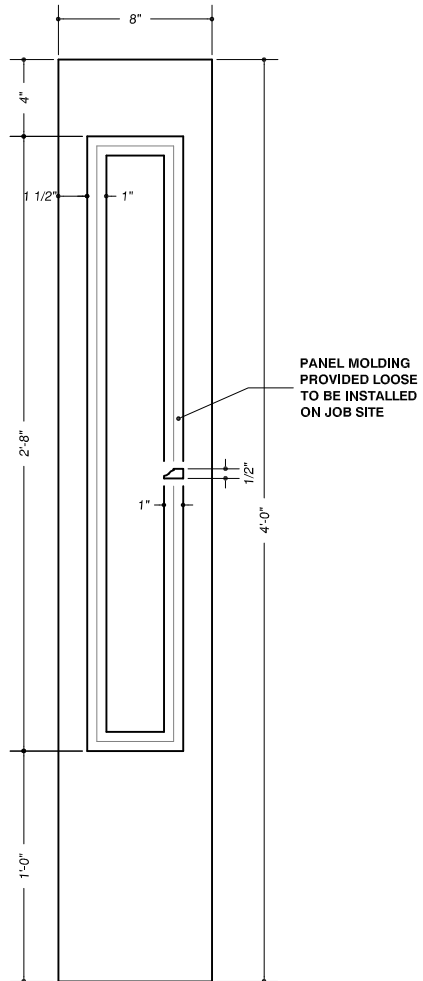
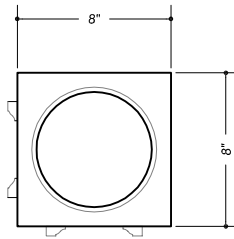
Date: _____

Drawn By: CAI, JLC
Date: -
Revised: .
Scale: Not to Scale
Checked by: .
Sheet 1 of 1

6" Balustrade System Accessories
Plain Newel

H&G
Building Products

1015 Brundidge Blvd.
P.O. Box 589
Troy, Alabama 36081
334.566.5000
Fax 334.566.4626
www.hbgcolumns.com



STOCK NUMBER: #57089

QUANTITY: -

PRODUCT MATERIAL: -

OTHER: -

Approved by: _____

Date: _____

Drawn By: CAI, JLC
 Date: -
 Revised: -
 Scale: Not to Scale
 Checked by: -
 Sheet 1 of 1

6" Balustrade System Accessories
Paneled Corner Newel



1015 Brundidge Blvd.
 P.O. Box 589
 Troy, Alabama 36081
 334.566.5000
 Fax 334.566.4626
 www.hbgcolumns.com